

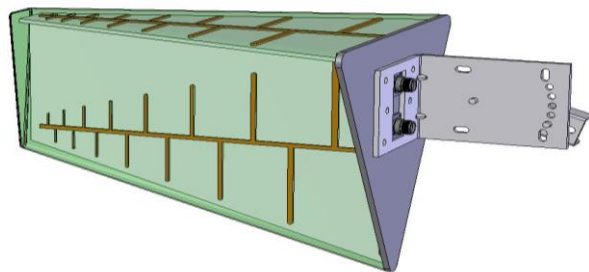
Dual-Polarised LPDA Antenna

1000 – 3400 MHz

Product Code: LPDA-A0043

VERSION: 2.7

SPECIFICATIONS:



Electrical:		
Product Code:	LPDA-A0043	LPDA-A0043-01
Frequency range	1000 – 3400 MHz	
VSWR	< 2:1	
Nominal input impedance	50 Ω nominal	
Isolation	> 20 dB	
Feed power handling	125 W	
Front-to-back ratio	> 20 dB	
Gain (varies over the frequency band)	> 6 dBi	
E-plane 3 dB beamwidth	56 °	
H-plane 3 dB beamwidth	82 °	
Polarisation	Dual	
Connectors	Two 7/16 female	Two N-type female
MTBF	50,000 hours	
Mechanical:		
Dimensions (w x l)	350 mm x 250 mm	
Material	Aluminium, stainless steel, fibreglass	
Total mass	< 3 kg (including mounting bracket)	
Environmental: designed to meet the following specifications		
Wind survival	160 km/h (calculated)	
Qualification	Designed to comply with applicable parts of MIL-STD-810E	
Temperature (operational)	-40 °C to + 55 °C (no icing)	

PRODUCT DESCRIPTION:

The LPDA-A0043 is a high-powered, 125 W, directional log-periodic dipole array that covers the 1000 to 3400 MHz frequency band. The antenna is supplied with its mounting bracket.

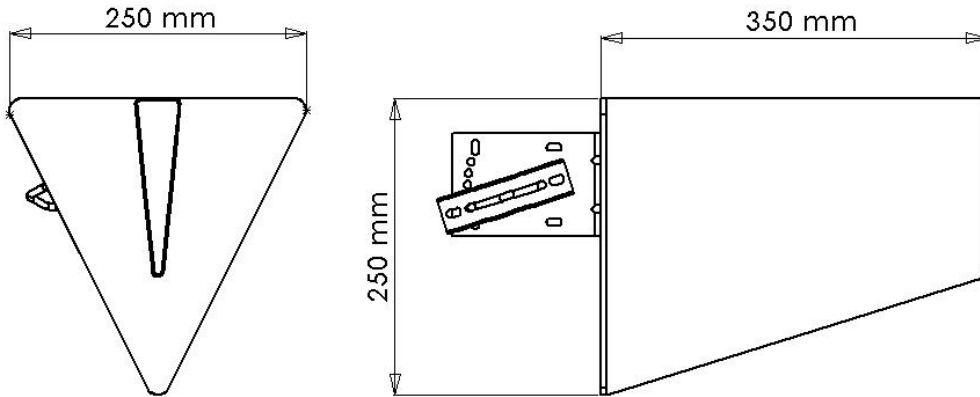
Dual-Polarised LPDA Antenna

1000 – 3000 MHz

Product Code: LPDA-A0043

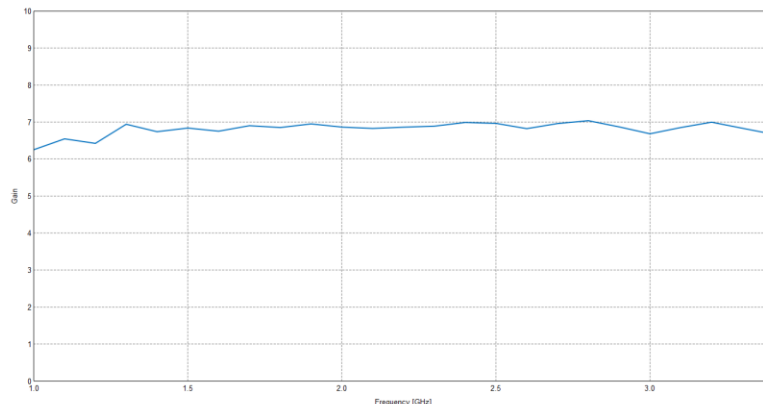
VERSION: 2.7

PHYSICAL DIMENSIONS:

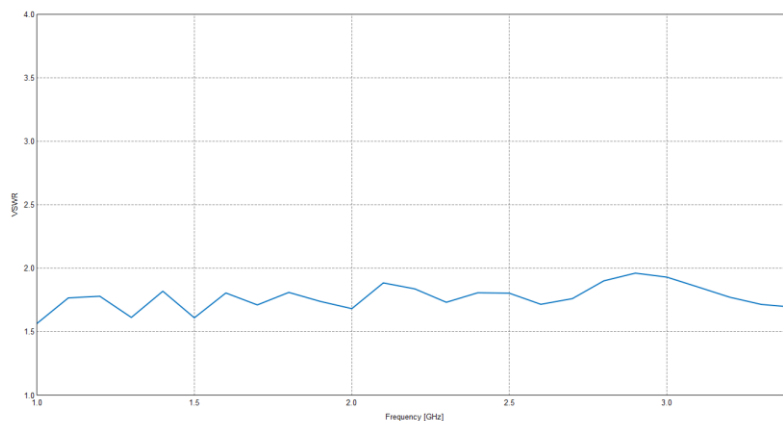


VSWR AND GAIN CURVES:

GAIN CURVE FOR EACH POLE:



VSWR CURVE FOR EACH POLE:



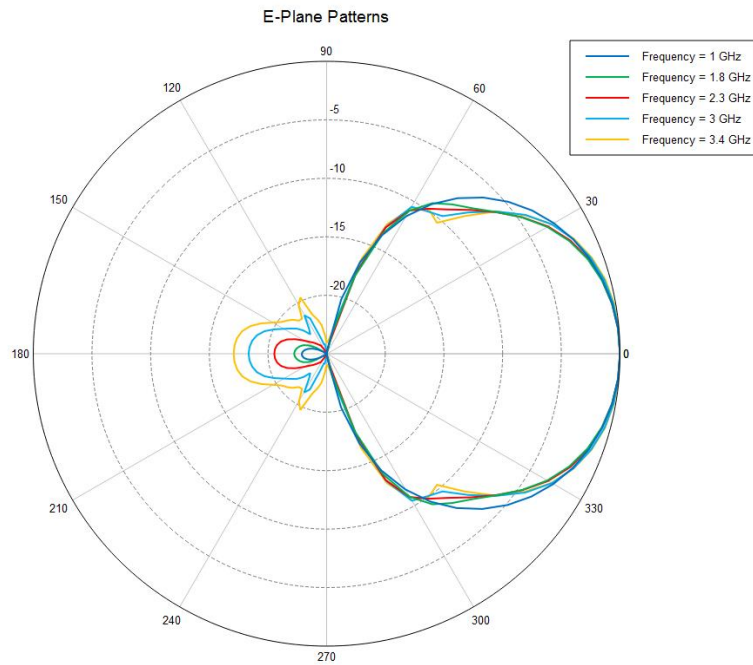
Dual-Polarised LPDA Antenna

1000 – 3000 MHz

Product Code: LPDA-A0043

VERSION: 2.7

E-plane pattern:



H-plane pattern:

